

Ref. : PVS 4140S

Rev. : Initial

Date : 21/02/2017

Page : 1/1

AIR RELEASE VALVE SINGLE CHAMBER SINGLE FUNCTION PN10/16

PVS 4140S



APPLICATION

General use : discharge of the small bubbles of air that are located in the top of the pipes to improve the circulation of the fluid.

GENERAL CHARACTERISTICS

Dimension : DN 25.
Pouder epoxy coated body - 250 microns thickness DIN 30677.

CONSTRUCTION

6	Orifice cover	ABS
5	Seat valve	NBR
4	Valve outlet	ABS
3	Float and level	ABS
2	Cover	Ductile iron GGG 40
1	Body	Ductile iron GGG 40
Pos.	Description	Material

DIMENSIONS

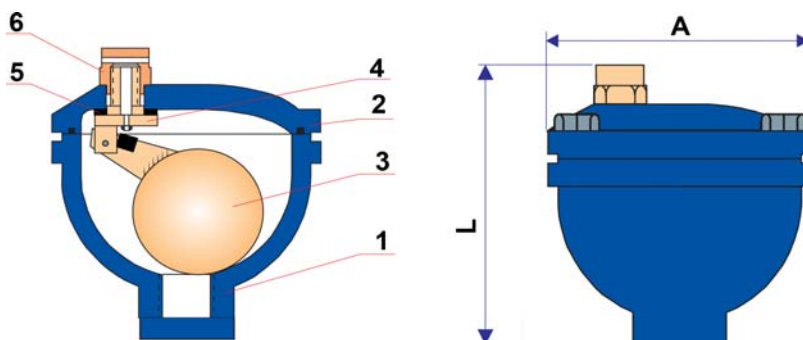
DN		A	L	Weight (kg)
mm	inch			
25	1"	140	155	5,00

WORKING CONDITIONS

Maximum temperature: +80°C.
Maximum working pressure :16 bar.

STANDARDS

Threaded connection according to ISO 228-1.



Flow capacity

