

Ref. : BS 1143P pas

Rev. : Initial

Date : 14/04/2016

Page : 1/1

BALL VALVE STANDARD BORE WITH DRAINER

BS 1143P



APPLICATION

General uses : Irrigation systems, water distribution.

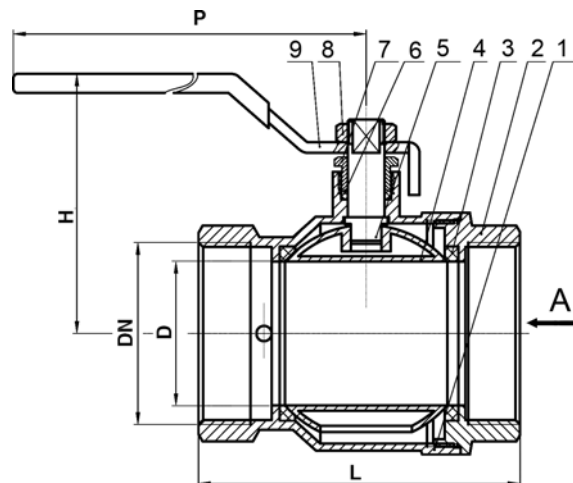
GENERAL CHARACTERISTICS

From DN15 to DN50
Standard bore
Anti-blow out stem
With gland pack and drain valve



CONSTRUCTION

14		Screw	Brass
13		Bearing	NBR
12		Washer	Brass
11		Red fiber	
10		Cap	Brass
9		Lever	Steel
8		Nut	Brass
7		Gland packing	Brass
6	1	Packing	PTFE
5	1	Stem	Brass
4	1	Ball	Chromed brass
3	2	Seat	PTFE
2	1	Internal body	Nickel plated brass CW617N
1	1	External body	Nickel plated brass CW617N
Pos.	Q-ty	Description	Material



DIMENSIONS

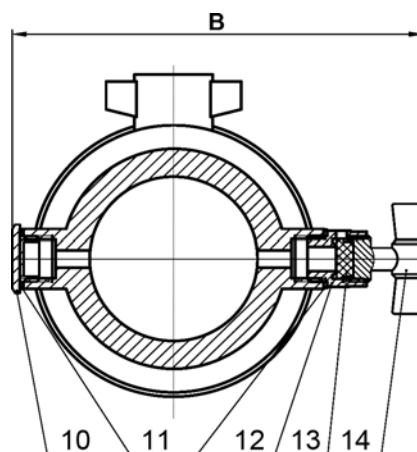
DN		H	L	P	D	B	Weight (kg)
mm	inch						
15	1/2"	52.6	52	94	13.5	69	0.234
20	3/4"	54.5	61	94	18.5	77	0.323
25	1"	61.3	68.5	103	24	83	0.455
32	1 1/4"	70.5	85.5	123.5	32	90	0.682
40	1 1/2"	77	95.5	123.5	39	98	1.005
50	2"	84	105.5	156	47	110	1.314

WORKING CONDITIONS

Maximum temperature : - 20°C / + 120°C.
Maximum working pressure : 30 bar

STANDARDS

BSP threaded female-female connection according to standard ISO 228-1.



View A